



 **ALLSEA**
BOATS | Shandong Allsea Boats Co.,ltd

www.allseaboats.com



High Quality
Aluminum
Boats

DESIGN
MANUFACTURE
EXPORT

“REEL IN THE ADVENTURE WITH OUR FISHING BOATS!”

OVER THE WORLD

Our Sales Department operates globally, reaching customers from all corners of the world. With a dedicated team of skilled professionals, we employ innovative techniques tailored to suit diverse market demands.



Trust us to provide you with the perfect fishing boat that meets your needs and exceeds your expectations. experience the thrill of fishing like never before.

6⁺
Continents

38⁺
Countries

120⁺
Regions



North America

- Canada
- United States

Central and South America

- Puerto Rico
- Peru
- Brazil
- Colombia
- El Salvador
- Paraguay
- Panama
- Guatemala

Eastern Asia

- Korea
- Hong Kong, China
- Macau, China

Southeast Asia

- Philippines
- Malaysia
- Singapore
- Indonesia
- Cambodia

Oceania

- Australia
- New Zealand
- French Polynesia
- New Caledonia
- Kiribati
- Marshall Islands
- Guam

Europe

- Norway
- Germany
- Sweden
- Russia
- Spain
- Latvia
- Romanian
- Turkey
- Montenegro

Middle East

- Oman
- Bahrain
- Saudi Arabia
- Qatar
- Israel

Africa

- Rwanda
- South Africa
- DRC
- Tanzania
- Cote d'Ivoire



110+ YEARS

EXCELLENT FISHING BOAT MANUFACTURER

Have Excellent Enterprise Qualifications

Quality certification guarantee, believe in the power of professionalism.

TRUSTWORTHY



CONTENTS



08 About Allsea

Allsea Boats is a modern enterprise integrating R&D, production, sales and service, which is the leader of high-end aluminum fishing boat manufacturer in China.



12 Easycraft Series

One of the key features of easycraft series is their versatility. Each model is designed with specific features and amenities to cater to different preferences and requirements.



36 Profisher Series

Profisher series offers top-notch quality and performance, making it the ultimate choice for fishing enthusiasts.



52 Catamaran

Catamaran is a type of boat with two parallel hulls, known for its stability and speed on water. Its unique design allows for smooth sailing even in rough seas.



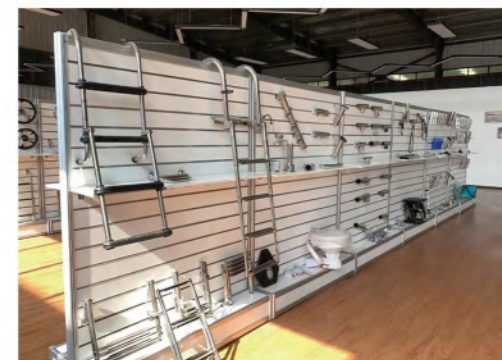
58 Pontoon Boat

ONE -STOP SUPPLY.
Cost-effective option for recreation and party on water.
Run for economical fuel consumption.



66 Landing Craft

Multi-used vessels to carry cargos as well as passengers.



68 Options

The boat accessories are essential for a successful day on the water.



70 Contact us

Please feel free to contact us for any inquiries or to request more information about our fishing boat sales. We are here to assist you and provide the best fishing boat options for your needs.

ABOUT ALLSEA



Established in 2012, Allsea Boats is a modern enterprise integrating R&D, production, sales and service, which is the leader of high-end aluminum boat manufacturer in China.

The company covers a total area of **12,000** square meters, including **11,000** square meters of standardized workshops and **1,000** square meters of office buildings.



OUR TEAM MEMBERS

“UNITED WE STAND, TOGETHER WE ACHIEVE GREATNESS!”

Our sales representative is committed to delivering a seamless and personalized sales experience. We will patiently listen to your inquiries and concerns, providing you with expert advice and recommendations. Whether you are a professional angler or a recreational fisherman, our sales representative will go above and beyond to ensure your satisfaction.

Michael



Kevin



Eva



Donna



Flora



Elosia



At our company, we strive to create the best boat experience for our customers, and our exceptional sales representative plays a vital role in achieving this goal. Trust their expertise, professionalism, and dedication for a seamless and satisfying buying process.



NEW BOAT CHECKLIST

- ✔ It must be engineered to be extremely strong and durable.
- ✔ It must slice through wind chop without pounding.
- ✔ It must be stable at rest.
- ✔ It must safely handle a following sea when running down a wave.
- ✔ It must be designed and built to minimise maintenance.
- ✔ It must be comfortable and functional to fish from.
- ✔ It must be easy to store.
- ✔ It should come loaded with features as standard.
- ✔ It must give you confidence on the water.
- ✔ It must have exceptional aftersales service.

Please feel free to contact us to assist with your research 😊

EASYCRAFT SERIES

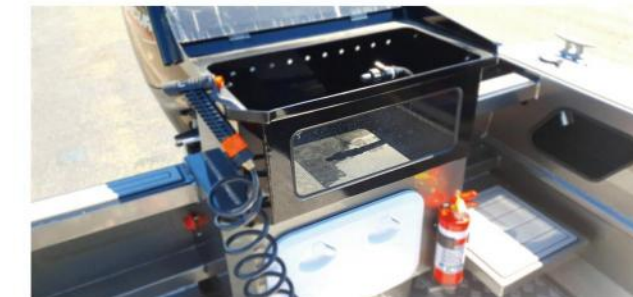
Easycraft is a featured series of Allsea boats. Deep V and pontoon hull make its speedy performance and safety.

Harder-edged outline and well-equipped setting make it the hottest sale series by fishermen.

HIGH SAFETY UNSINKABLE



EASYCRAFT 600



EasyCraft boat offers a wide range of high-quality accessories to enhance your boating experience. From durable fishing rod holders to comfortable seating options, they have everything you need for a smooth and enjoyable journey on the water.



← EASYCRAFT 600

Explore your big blue backyard in an Easycraft600 model an outstanding option for those who are looking for a highly capable, quality built alloy boat in 6m size. With class-leading performance combined with easy handling, towing and a small storage footprint, the 600 is a great first boat for those who are looking for small size sport boat.





EASYCRAFT 650

Equipped with state-of-the-art fishing equipment, it is ready to tackle any fishing challenge.

ENJOYABLE EXPERIENCE

This compact vessel is designed with avid anglers in mind, offering ample space and functionality for a successful fishing expedition.



EASYCRAFT 600 CENTER CONSOLE

- ☑ Extremely strong and durable.
- ☑ Stable at rest.
- ☑ Safe on the rough sea.
- ☑ Fully welded checker plate deck or EVA floor, choose what you like.
- ☑ Enjoy the sunshine and large deck space.



EASYCRAFT 685C

CENTRALIZED CONTROL SYSTEM

A boat with a central control measuring 6.85 meters in length. This vessel is equipped with a centralized control system that allows the captain to navigate and operate the boat from a single location. This boat offers ample space for fishing equipment and storage, making it suitable for both recreational and professional fishing activities.



MANEUVERABILITY

The central control ensures easy maneuverability and efficient operation, providing a comfortable and convenient experience for the captain and crew. Whether you're angling for leisure or pursuing a livelihood on the water, this 6.85-meter boat with its central control system is the perfect choice.

750C EASYCRAFT



The 7.5-meter central control boat is a versatile vessel designed for optimal fishing experience. Equipped with state-of-the-art technology and advanced features, this boat ensures a seamless and efficient

750F **HOT** EASYCRAFT



It is equipped with all the necessary gear and amenities to ensure an enjoyable fishing experience. With its sturdy construction and efficient design, this boat is perfect for navigating both calm waters and rougher seas. Its spacious deck provides ample space for anglers to move around freely and comfortably cast their lines.



750W EASYCRAFT

With experienced fishermen at the helm, the fishing boat ventured into the deep sea, seeking out the finest treasures beneath the waves.



SEAS OF POSSIBILITIES AWAIT



Setting sail with strength and durability our aluminum alloy boats lead the way

Our boats are equipped with powerful engines that provide excellent speed and maneuverability on the water. The hull design ensures stability and enhances fuel efficiency, allowing for longer fishing trips without the need for frequent refueling.



750XL EASYCRAFT



Lightweight and durable

Lightweight construction, better fuel efficiency and faster speeds.



Versatile design

Our boats are known for their versatile design, which allows for easy customization and modification.



Low maintenance

The corrosion-resistant nature of aluminum eliminates the need for regular repainting, while the lightweight construction reduces wear and tear on the boat's components.



HOP ONBOARD THE CHARTER AND LET'S CAST OUR LINES FOR A MEMORABLE DAY OF FISHING!

750XL EASYCRAFT



01 Cabin

Easycraft 750 XI boat is designed with durability and strength in mind. It is constructed using high-quality aluminum alloy materials, ensuring its resistance to corrosion and harsh marine conditions.

02 Engine

Powered by a high-performance engine, known for its reliability and efficiency. The engine is designed to provide smooth and powerful acceleration, allowing anglers to quickly reach their desired fishing spots.

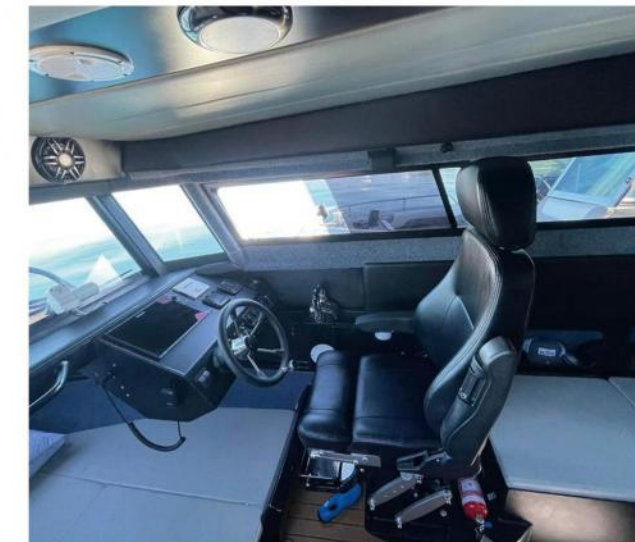
03 Seats

Ergonomically designed for optimal comfort during long fishing trips. They are equipped with sturdy backrests and cushioning, providing excellent support to the angler's back, the seats are adjustable.

Safety features

Equipped with various safety features to ensure a secure fishing experience. It has a sturdy and stable hull design, providing excellent stability and reducing the risk of capsizing. The boat also features a reliable navigation system, including GPS and sonar, allowing anglers to navigate accurately and avoid potential hazards.





900 EASYCRAFT



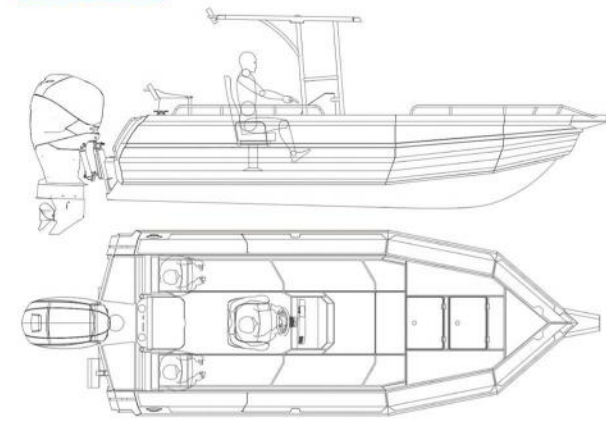
The interior of the 9-meter aluminum alloy boat cabin combines functionality, comfort, and convenience. Every detail is carefully considered to enhance the fishing experience, making it an ideal vessel for avid anglers.

EASYCRAFT PARAMETERS

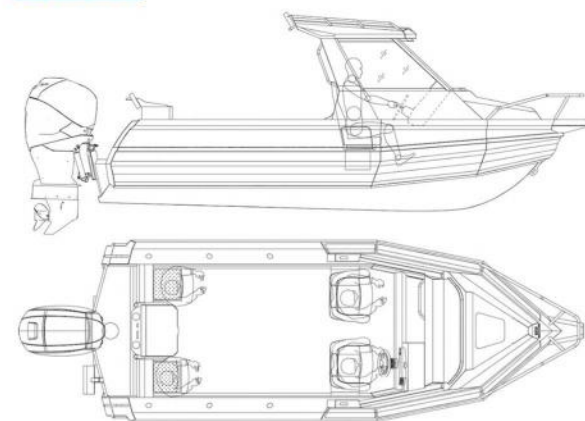
Model Number	E600C	E600	E600E	E650	E685	E685C	E750F	E750W	E750XL	E750C	E750E	E850	E900W	E900XL
	Console		Ethancraft		Console		Full Close	Walkaroud	Lengthened Cabin	Console	Ethancraft			
Length Maximum(m)	6.25	6.25	6.25	6.52	7	7	7.68	7.52	7.68	7.68	7.68	8.95	9.6/31.5	9.55
Length of the Hull(m)	6	6	6	6.5	6.85	6.85	7.5	7.5	7.5	7.5	7.5	8.5	29.5/9	9
Beam(m)	2.24	2.24	2.24	2.24	2.46	2.46	2.46	2.46	2.46	2.46	2.46	2.46	2.45	2.46
Depth(m)	1.1	1.1	1.1	1.2	1.31	1.31	1.31	1.31	1.31	1.31	1.31	1.34	1.55	1.34
Hull Thickness(mm)	5	5	5	5	6	6	6	6	6	6	6	6	6	6
Tube Thickness(mm)	3	3	3	3	4	4	4	4	4	4	4	4	4	4
Transom Shaft (Single Engine)	25"	25"	25"	25"	30"	30"	30"	30"	30"	30"	30"	30"	30"	30"
Transom Shaft (Twin Engine)	x	x	x	20"	25"	25"	25"	25"	25"	25"	25"	25"	25"	25"
Dry Weight(kgs)	850	980	980	1150	1450	1250	1700	300	1700	1450	1630	2350	2700	2700
Min. HP	115	115	115	150	200	150	300	300	300	200	300	2*200	2*175	2*200
MAX.HP	150	175	175	200	300	200	350	350	350	350	350	2.25	2*250	2*250
Person Capacity(Max)	5	6	6	6	7	7	8	8	8	8	8	10	12	12
Warranty:	5 years	5 years	5 years	5 years	5 years	5 years	5 years	5 years	5 years	5 years	5 years	5 years	5 years	5 years
Boat hull and deck														
Fuel Tank (L)	200	200	200	250	300	300	350	300	350	250	350	500	500	430
Live Bait Tank with Rod Holders(L)	40	40	40	40	40	40	50	50	50	50	50	60	60	60
Cutting Board	√	√	√	√	√	√	√	√	√	√	√	√	√	√
Alloy Fairlead and Roller	√	√	√	√	√	√	√	√	√	√	√	√	√	√
Cleats	√	√	√	√	√	√	√	√	√	√	√	√	√	√
Anchor Well	√	√	√	√	√	√	√	√	√	√	√	√	√	√
Battery Switch	√	√	√	√	√	√	√	√	√	√	√	√	√	√
Battery And Oil Tank	√	√	√	√	√	√	√	√	√	√	√	√	√	√
Rear Seat Fold Down*2	√	√	√	√	√	√	√	√	√	√	√	√	√	√
Ladder	√	√	√	√	√	√	√	√	√	√	√	√	√	√
Gunwale Anti-Slip Pad	√	√	√	√	√	√	√	√	√	√	√	√	√	√
Self-Draining System	x	x	x	x	√	√	√	√	√	x	√	√	√	√
Bilge Pump	√	√	√	√	√	√	√	√	√	√	√	√	√	√
Water Tight Pontoons	√	√	√	√	√	√	√	√	√	√	√	√	√	√
Foam Filled in Pontoons	√	√	√	√	√	√	√	√	√	√	√	√	√	√
Side Pontoon Storage Trays	√	√	√	√	√	√	√	√	√	√	√	√	√	√
Rod Holders on The Gunwale	√	√	√	√	√	√	√	√	√	√	√	√	√	√
Rocket Launchers on Hardtop	x	√	√	√	√	x	√	√	√	x	√	√	√	√
Bow and Stern Handrails	√	√	√	√	√	√	√	√	√	√	√	√	√	√
Handrails on The Hardtop	x	√	√	√	√	x	√	√	√	x	√	√	√	√
Rear Cabin Handrails	x	√	√	√	√	x	√	√	√	x	√	√	√	√
Nav. and Mast Lights	√	√	√	√	√	√	√	√	√	√	√	√	√	√
Transducer Mount Bracket	√	√	√	√	√	√	√	√	√	√	√	√	√	√
Center Console	√	x	x	x	x	√	x	x	x	√	x	x	x	x
Painting(Two Tone)	√	√	√	√	√	√	√	√	√	√	√	√	√	√

Model Number	E600C	E600	E600E	E650	E685	E685C	E750F	E750W	E750XL	E750C	E750E	E850	E900W	E900XL
Cabin														
Marine Driver Seat	√	√	√	√	√	√	√	√	√	√	√	√	√	√
Nav.Seat	x	√	√	√	√	√	√	√	√	√	√	√	√	√
Led Cabin Light	x	√	√	√	√	x	√	√	√	x	√	√	√	√
Sliding Window	x	√	√	√	√	x	√	√	√	x	√	√	√	√
Electric Wiper	x	√	√	√	√	x	√	√	√	x	√	√	√	√
Switch Control Panel	√	√	√	√	√	√	√	√	√	√	√	√	√	√
Cushions	x	√	√	√	√	x	√	√	√	x	√	√	√	√
Offshore Hatch	x	x	x	√	√	x	√	√	√	x	√	√	√	√
Cabin Door	x	x	x	x	x	x	√	√	√	x	√	√	√	√
Folding Table	x	x	x	x	x	x	x	√	x	x	√	√	√	√
Under Floor Storage Tank	x	x	x	x	√	x	√	√	√	x	√	√	√	√
OPTIONS														
Steering – Hydraulic	√	√	√	√	√	√	√	√	√	√	√	√	√	√
Electric Trim Tabs	√	√	√	√	√	√	√	√	√	√	√	√	√	√
Carpeted Cabin	x	√	√	√	√	x	√	√	√	x	√	√	√	√
T-Top	√	x	x	x	x	√	x	x	x	√	x	x	x	x
Eva Teak Floor	√	√	√	√	√	√	√	√	√	√	√	√	√	√
Anchor Chain & Warp	√	√	√	√	√	√	√	√	√	√	√	√	√	√
Electric Anchor Winch	√	√	√	√	√	√	√	√	√	√	√	√	√	√
Marine Toilet	x	√	√	√	√	x	√	√	√	√	√	√	√	√
Upgrade Damping Seat(Unit Price)	√	√	√	√	√	√	√	√	√	√	√	√	√	√
Rader Holder	√	√	√	√	√	√	√	√	√	√	√	√	√	√
Marine Compass	√	√	√	√	√	√	√	√	√	√	√	√	√	√
Washdown Pump Kit	√	√	√	√	√	√	√	√	√	√	√	√	√	√
Led Deck Light	√	√	√	√	√	√	√	√	√	√	√	√	√	√
Led Search Light	√	√	√	√	√	√	√	√	√	√	√	√	√	√
Bluetooth Stereo with 2 Speaker	√	√	√	√	√	√	√	√	√	√	√	√	√	√

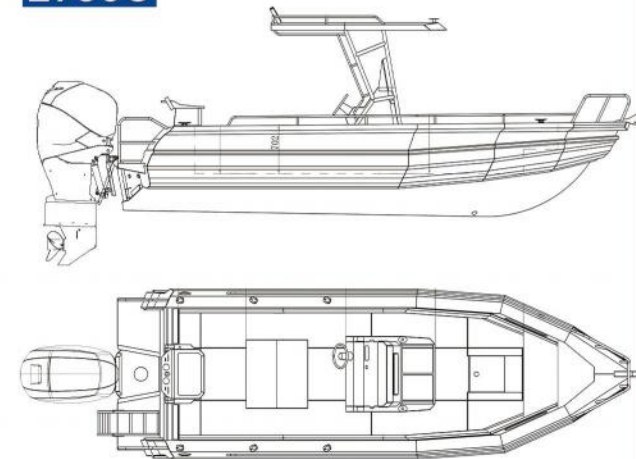
E600C



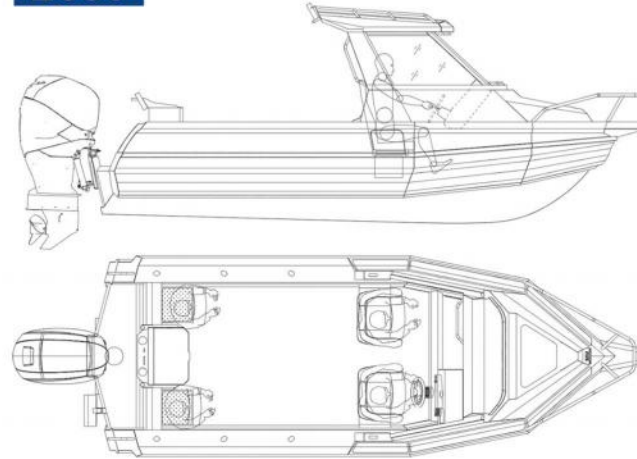
E600



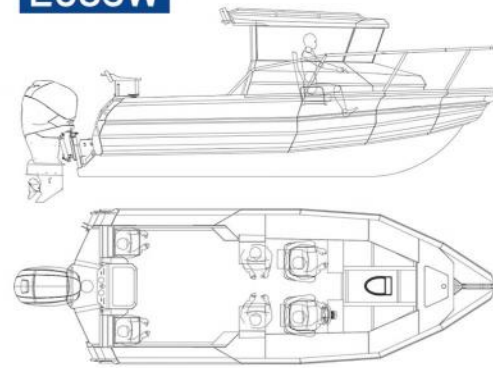
E750C



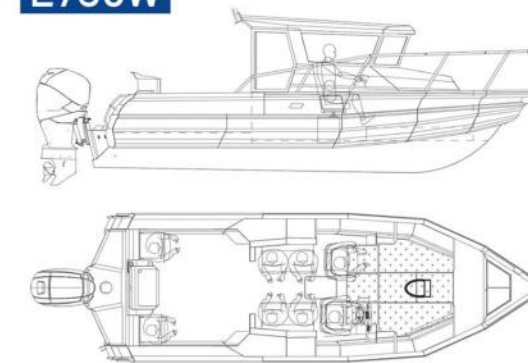
E650



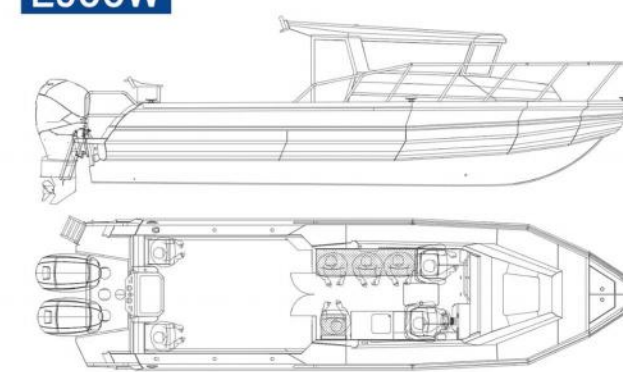
E685W



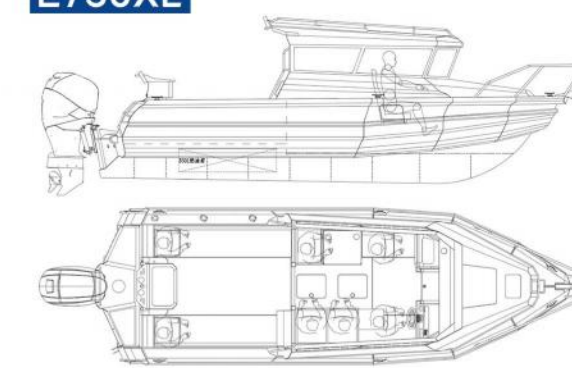
E750W



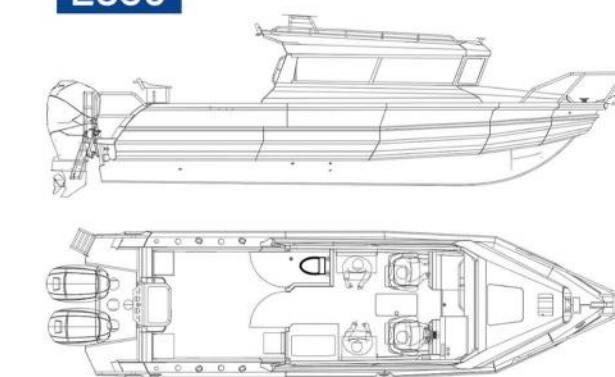
E900W



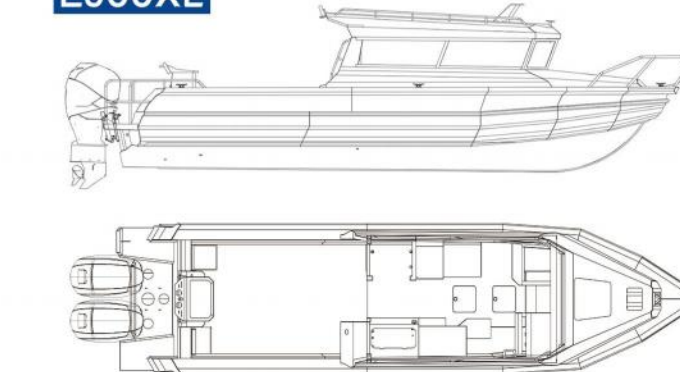
E750XL



E850



E900XL



An aerial photograph of a small, white fishing boat with a black hull, floating on clear, vibrant blue water. The boat is positioned in the lower-left quadrant of the frame. In the background, a rugged, rocky coastline meets the water's edge. The water's surface is textured with small, shimmering ripples. The overall scene is bright and serene, suggesting a coastal fishing environment.

PROFISHER SERIES

Allsea Profisher boats is a leading manufacturer of high-quality fishing vessels, known for their exceptional craftsmanship and durability. Their boats are designed to withstand the toughest conditions and provide optimal performance for anglers of all skill levels.

PROFISHER 625



Equipped with advanced features and cutting-edge technology, the Profisher 6.25-meter boat guarantees a smooth and comfortable ride even in challenging waters. Its robust hull construction ensures durability and stability, allowing anglers to navigate effortlessly through various fishing spots.



685 PROFISHER

The 6.85-meter aluminum alloy boat is a versatile and durable vessel designed for avid anglers.

ITS STURDY CONSTRUCTION ENSURES STABILITY AND RELIABILITY, EVEN IN ROUGH WATERS. WITH ITS SPACIOUS DECK AND AMPLE STORAGE COMPARTMENTS, THIS BOAT PROVIDES AMPLE ROOM FOR ALL YOUR FISHING GEAR AND EQUIPMENT.



HOT SALE
IN AUSTRALIA

750 PROFISHER

The 7.5-meter aluminum alloy boat is the perfect vessel for any angler seeking adventure on the water. Crafted with the utmost precision and durability.



**OUR 7.5-METER ALUMINUM ALLOY BOAT,
DESIGNED SPECIFICALLY FOR THRILLING ADVENTURES ON THE SEA.**

This versatile vessel combines durability, functionality, and style to provide an unforgettable experience for fishing enthusiasts.





750F PROFISHER

The 7.5-meter boat is a perfect vessel for avid anglers and fishing enthusiasts.



BEST MIXTURE FOR FISHING AND RECREATIONAL



TOP
SELLING

960 PROFISHER

With its durable and lightweight construction, this fishing vessel is perfect for avid anglers seeking an unforgettable fishing experience. Whether embarking on a thrilling fishing adventure or simply enjoying a leisurely day on the water, this 9.6-meter boat guarantees an exceptional and unforgettable fishing trip.



FISHING ON A 9.6-METER ALUMINUM ALLOY BOAT IN THE SEA IS AN EXHILARATING EXPERIENCE. AS THE BOAT GLIDES THROUGH THE WAVES, THE COOL SEA BREEZE BRUSHES AGAINST MY FACE, CREATING A SENSE OF FREEDOM AND ADVENTURE

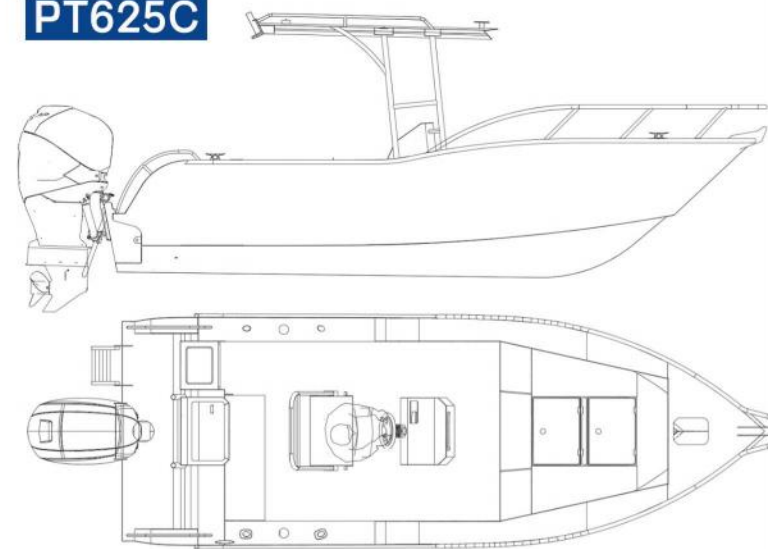
PROFISHER PARAMETERS

Model Number	PT625	PT625C	PT685	PT750C	PT750	PT750F	PT960
		Center Console		Center Console	Open Door	Full Close	Full Close
Length Maximum(m)	6.25	6.25	7.2	7.9	7.88	7.88	10.35
Length of the Hull(m)	6	6	6.85	7.5	7.5	7.5	9.6
Beam(m)	2.22	2.22	2.44	2.45	2.44	2.44	3.02
Depth(m)	1.1	1.1	1.32	1.45	1.37	1.37	1.52
Bottomsides(mm)	6mm	6mm	6mm	6mm	6mm	6mm	6mm
Topsides(mm)	4mm	4mm	5mm	5mm	5mm	5mm	5mm
Transom(mm)	6mm	6mm	6mm	6mm	6mm	6mm	6mm
Transom Shaft (Single Engine)	25"	25"	30"	30"	30"	30"	30"
Transom Shaft (Twin Engine)	x	x	25"	25"	25"	25"	25"
Weight(Boat Only kg)	1150kg	950	1350kg	1400kg	1550kg	1680kg	1680kg
Min. HP	115	115	175	175	250	250	2*200
MAX.HP	175	150	250	300	350	350	2*300
Person Capacity(Max)	6	6	7	8	8	8	8
Warranty:	5 years	5 years	5 years	5 years	5 years	5 years	5 years
Boat hull and deck							
Fuel Tank (L)	175	175	250	300	300	300	550
Fish Tank(L)	45	45	110	110	110	110	110
Live Bait Tank with Rod Holders(L)	35	35	45	45	45	45	45
Cutting Board	√	√	√	√	√	√	√
Alloy Fairlead and Roller	√	√	√	√	√	√	√
Cleats	√	√	√	√	√	√	√
Anchor Well	√	√	√	√	√	√	√
Battery Switch	√	√	√	√	√	√	√
Battery And Oil Tank Shelf/Compartment	√	√	√	√	√	√	√
Rear Seat Fold Down	√	√	√	√	√	√	√
Ladder	√	√	√	√	√	√	√
Gunwale Anti-Slip Pad	√	√	√	√	√	√	√
Self-Draining System	x	x	√	√	√	√	√
Bilge Pump	√	√	√	√	√	√	√
Side Storage Trays	√	√	√	√	√	√	√
Rod Holders on The Gunwale	√	√	√	√	√	√	√
Rocket Launchers on Hardtop	√	x	√	x	√	√	√
Bow and Stern Handrails	√	√	√	√	√	√	√
Handrails on The Hardtop	√	x	√	x	√	√	√
Rear Cabin Handrails	√	x	√	x	√	√	√
Nav. and Mast Lights	√	√	√	√	√	√	√
Transducer Mount Bracket	√	√	√	√	√	√	√
Painting(Two Tone)	√	√	√	√	√	√	√

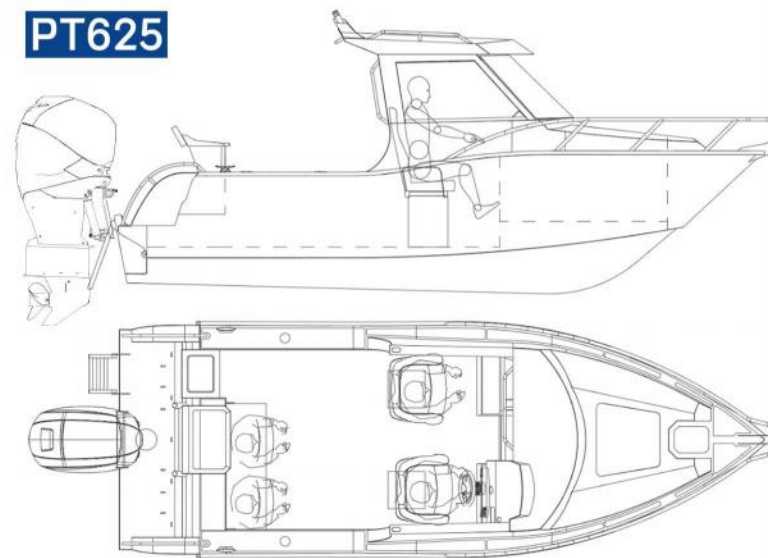
Model Number	PT625	PT625C	PT685	PT750C	PT750	PT750F	PT960
Cabin							
Marine Driver Seat	√	√	√	√	√	√	√
Nav.Seat	√	√	√	√	√	x	x
Led Cabin Light	√	x	√	x	√	√	√
Sliding Window	√	x	√	x	√	√	√
Electric Wiper	√	x	√	x	√	√	√
Switch Control Panel	√	√	√	√	√	√	√
Cushions	√	x	√	x	√	√	√
Offshore Hatch	√	x	√	x	√	√	√
Liftable Table Solution	x	x	x	x	x	√	√
Cabin Door	x	x	x	x	x	√	√
OPTIONS							
Steering – Hydraulic	√	√	√	√	√	√	√
Carpeted Cabin	√	N/A	√	N/A	√	√	√
Eva Teak Floor	√	√	√	√	√	√	√
Anchor Chain & Warp	√	√	√	√	√	√	√
Electric Anchor Winch	√	√	√	√	√	√	√
Marine Toilet	√	N/A	√	N/A	√	x	√
Upgrade Damping Seat(Unit Price)	√	√	√	√	√	√	√
Rader Holder	√	√	√	√	√	√	√
Marine Compass	√	√	√	√	√	√	√
Washdown Pump Kit	√	√	√	√	√	√	√
Led Deck Light	√	√	√	√	√	√	√
Led Search Light	√	√	√	√	√	√	√
Bluetooth Stereo with Speaker	√	√	√	√	√	√	√

OUTLINE DRAWING

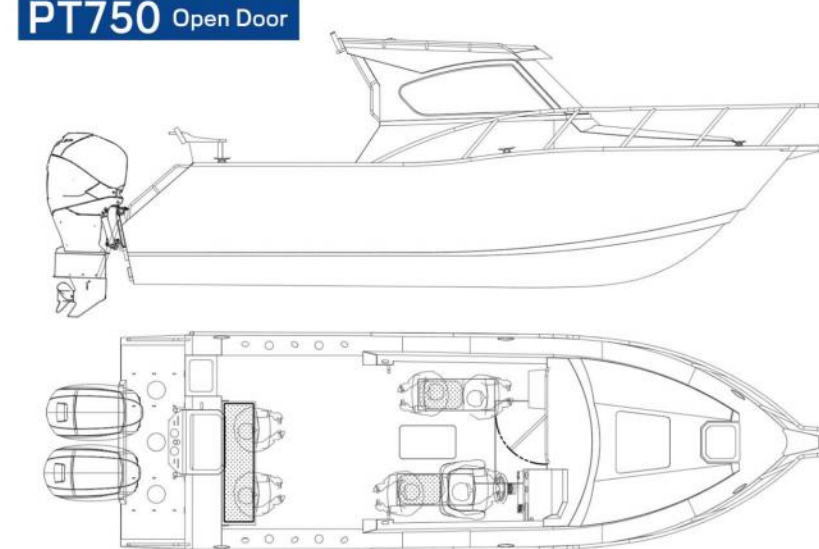
PT625C



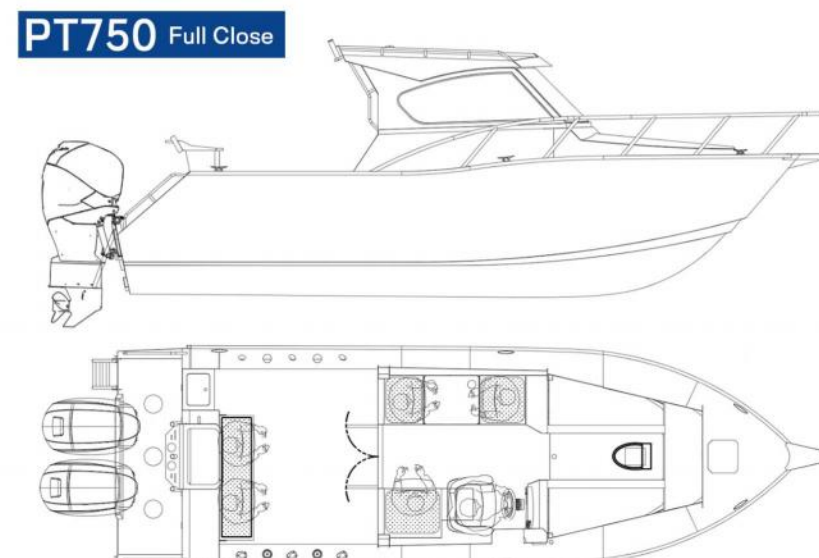
PT625



PT750 Open Door



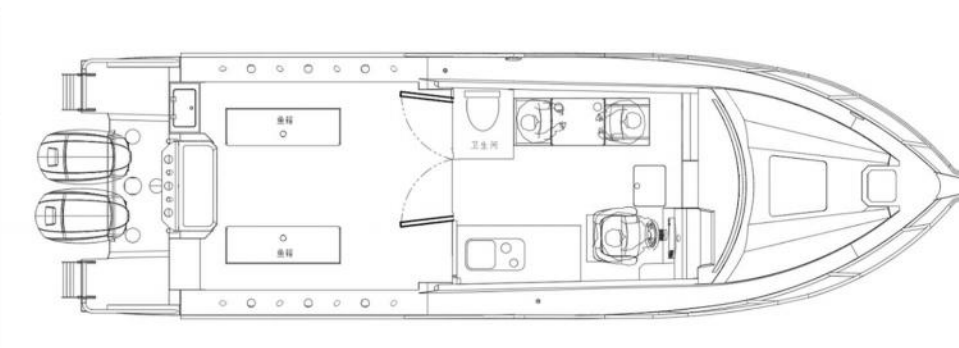
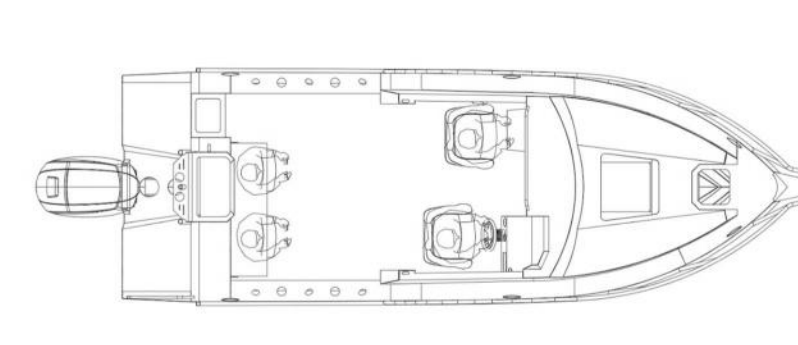
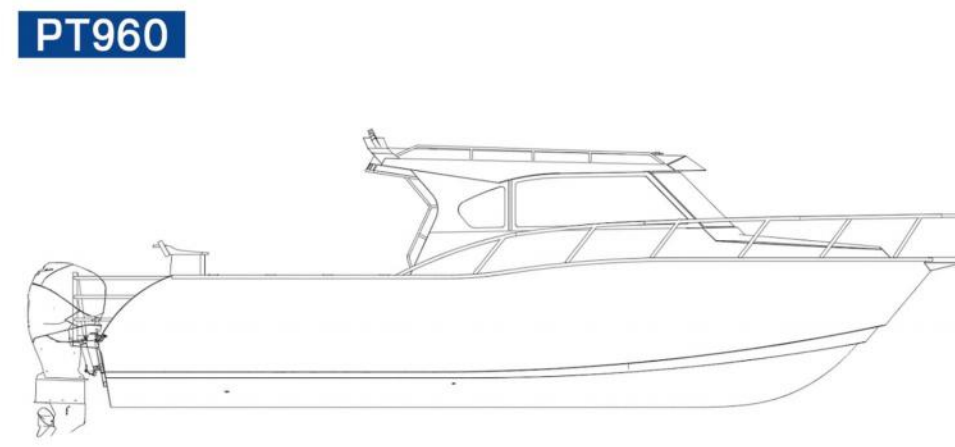
PT750 Full Close



PT685



PT960





CATAMARAN

IDEAL SPACES FOR FAMILIES

C790 CATAMARAN

Catamarans offer stability, speed, spaciousness, fuel efficiency, and a shallow draft. These unique features make them a popular choice for both recreational and commercial boating, offering a comfortable and enjoyable experience on the water.



Stability

One of the main advantages of a catamaran is its exceptional stability. It provides a wider base, making it less susceptible to tipping or rolling in rough waters.

Speed

Catamarans are known for their impressive speed capabilities. The dual-hull design reduces the water resistance, allowing the boat to glide through the water more efficiently.

Spaciousness

The dual-hull design of a catamaran offers a significantly larger deck space compared to traditional monohull boats.



C880 CATAMARAN

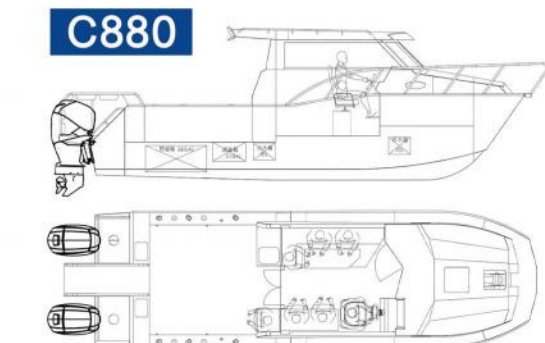
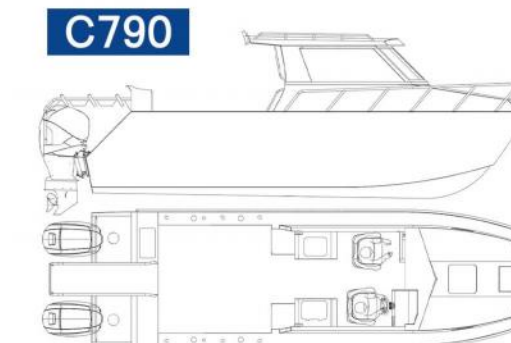


CATAMARAN PARAMETERS

Model Number	C790	C880
Length Maximum(m)	9.1	10.9
Length of the Hull(m)	7.9	8.8
Beam(m)	2.46	2.8
Depth(m)	1.6	1.6
Bottomsides(mm)	6mm	6mm
Topsides(mm)	4mm	4mm
Transom(mm)	5mm	5mm
Transom Shaft	25"	25"
Min. HP	200	350
MAX.HP	350	500
Number of people(Basic)	8	9
Warranty:	5 years	5 years

STANDARDSD	C790	C880
Bollard Foredeck	✓	✓
Alloy Fairlead and Roller	✓	✓
Cleats	✓	✓
Grab Rails on Hardtop Roof	✓	✓
Grab Rails Insides of Cabin	✓	✓
Grab Rails On Gunwale	✓	✓
Hardtop Roof with Enclosed Windscreen	✓	✓
Sliding Windows	✓	✓
Cabin Door	✓	✓
Checker Plate Deck	✓	✓
Cabin Hardtop Roof	✓	✓
Marine Seats	✓	✓
Skylight	×	✓
Rear Storage Box with Cushions	✓	✓
Cabin Cushions	✓	✓
Side Storage Pockets	✓	✓
Battery Box	✓	×
Self draining deck with scuppers	✓	✓
Stern Entrance Door	✓	✓
Transducer Mount Brackets	✓	✓
Buoyancy Foam	✓	✓
Painting	✓	✓
NAV. Light	✓	✓
Anchor Light	✓	✓
LED Light	✓	×
Windscreen Wipers	✓	✓
Bilge Pump	✓	✓
Kill Tank	✓	✓
Live Bait Tank	✓	✓
Fuel Tank	2*200	2*320

OUTLINE DRAWING



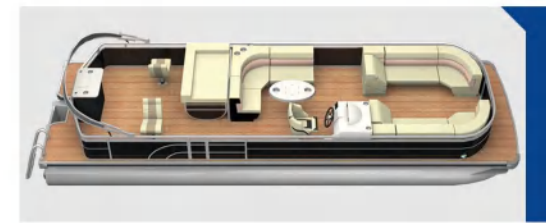
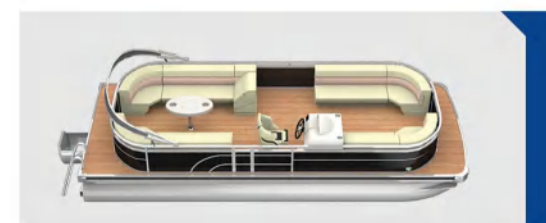
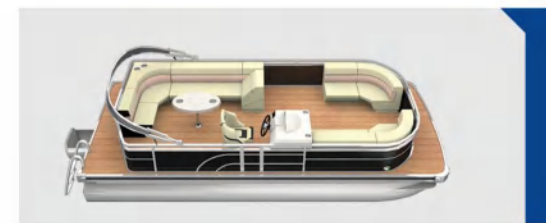
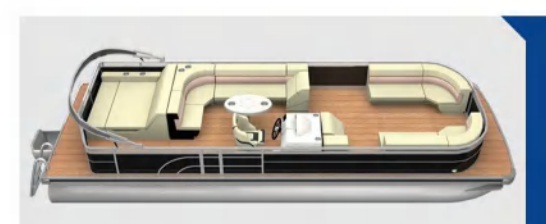
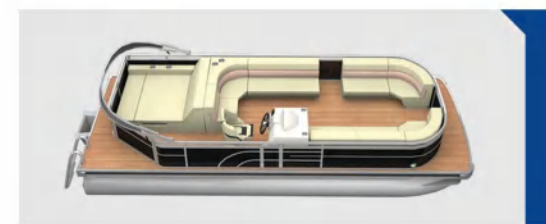
PONTOON BOATS

BUILT TO MAKE EVERY MOMENT COUNT





STANDARD PONTOON BOAT





SPORT PONTOON BOAT



22ft



25ft



27ft



PONTOON PARAMETERS

TYPE	460	460B	520	520B	580	580B	640	640B	700	700B	760	760B	820	900A	900B
MEASUREMENTS	4.6m 15ft	4.6m 15ft	5.2m 17ft	5.2m 17ft	5.8m 19ft	5.8m 19ft	6.4m 21ft	6.4m 21ft	7.0m 23ft	7.0m 23ft	7.6m 25ft	7.6m 25ft	8.2m 27ft	9m 29ft	9m 29ft
Length Maximum	4.6m/15ft	4.6m/15ft	5.2m/17ft	5.2m/17ft	5.8m/19ft	5.8m/19ft	6.4m/21ft	6.4m/21ft	7.0m/23ft	7.0m/23ft	7.6m/25ft	7.6m/25ft	8.2m/27ft	9m/29ft	9m/29ft
Beam	2.6m	2.2m	2.6m	2.2m	2.6m	2.2m	2.6m	2.2m	2.6m	2.2m	2.6m	2.2m	2.6m	2.6m	2.6m
Fuel Tank	90L/120L	90L/120L	90L/120L	90L/120L	90L/120L	90L/120L	90L/120L	90L/120L	90L/120L	90L/120L	90L/120L	90L/120L	90L/120L	90L/120L	90L/120L
Rec.HP	50hp	50hp	60hp	60hp	80hp	80hp	90hp	90hp	100hp	100hp	100hp	100hp	115hp	150hp	150hp
Weight	620kgs	600kgs	750kgs	730kgs	880kgs	850kgs	1000kgs	960kgs	1150kgs	1100kgs	1210kgs	1160kgs	1430kgs	1630kgs	1630kgs
Basic Capacity (Passenger)	6	6	8	8	9	9	10	10	12	12	14	14	16	16	22

Standard Accessories

2* Pontoon Tube	Marine Wood Deck	Seagrass floor	Deck Aluminum Alloy Skirt	Stainless Steel Corner *4	Cup holders	One color Fence	Color fence panel	Navigation lights	Console
Circuit cable	Driver Seat	1 set of Leather Sofa	1 Removable Table	SS 4 Steps Ladder	Stern Engine Well	Changing room	Sundeck with changingroom	Single bimini	live Well

Options Accessories

90L fuel tank	120L fuel tank	Hydraulic steering system	mechanic system	mp3+4speakers	Double Bimini Top	Upgrade to Aluminumchecker flooring
Search light	table	boat cover	Other Table/unit	Middle tube	double color fence	

PONTOON TIME



LANDING CRAFT

The aluminum alloy landing craft is truly commendable for its exceptional durability and versatility.



LANDING PARAMETERS

MEASUREMENTS	6m	7.9m console	7.9m wheelhouse	9m console	9m console	9m wheelhouse	10m wheelhouse	11m console	11m console	11m wheelhouse
Length of the Hull	6m/20ft	7.9m/26ft	7.9m/26ft	9m/29.5ft	9m/29.5ft	9m/29.5ft	9m/29.5ft	11m/35ft	11m/35ft	11m/35ft
Beam(m)	2.2m	2.45	2.45	2.5	3	3	3	4	4	4
Depth(m)	0.8m	1.4m	1.4m	1.42	1.49	1.49	1.42	1.49	1.49	1.49
Draft(m)		0.35m	0.35m	0.35	0.31	0.31	0.35	0.31	0.31	0.31
Bottom Sides(mm)	5mm	5m	5mm	6	6	6	6	6	6	6
Top Sides(mm)	4mm	4m	4mm	5	5	5	5	5	5	5
Transom(mm)	5mm	5m	5mm	5	6	6	5	6	6	6
Transom Shaft		25"	25"	25"	25"	25"	25"	25"	25"	25"
Rec.HP		150	150	200	225	225	200	250	250	250
Capacity(kg)		2500	2500	3000	3500	3500	5000	6000	6000	7500
Standard Accessories For the Boats										
Fuel Tank Gauge	√	√	√	√	√	√	√	√	√	√
Fuel Tank Cleaning Opening	√	√	√	√	√	√	√	√	√	√
Outboard Protection Rails	×	√	√	√	√	√	√	√	√	√
Storage Gasket Cover	√	√	√	√	√	√	√	√	√	√
Fuel Tank	×	300L	300L	300L	350L	350L	300L	400L	400L	400L
Lifebuoy Bracket	√	√	√	√	√	√	√	√	√	√
Fire Extinguisher Bracket	×	√	√	√	√	√	√	√	√	√
Deck Self Drain Holes	×	√	√	√	√	√	√	√	√	√
Exhaust Vent Hose	√	√	√	√	√	√	√	√	√	√
Acrylic Windscreen	×	√	√	√	√	√	√	√	√	√
Hand Rail	√	√	√	√	√	√	√	√	√	√
Bollard	√	√	√	√	√	√	√	√	√	√
Hinge	√	√	√	√	√	√	√	√	√	√
Control Panel	×	√	√	√	√	√	√	√	√	√
Hardtop	×	×	×	×	×	×	×	×	×	×
Fuel Hose	×	√	√	√	√	√	√	√	√	√
Control Panel	×	√	√	√	√	√	√	√	√	√
Zinc	√	√	√	√	√	×	√	√	√	√
Safety Door Hinge	√	√	√	√	√	√	√	√	√	√
Bottom	Flat hull	Shallow V	Shallow V	Shallow V	Shallow V	Shallow V	Shallow V	Flat	Shallow V	Shallow V
Options Accessories										
	Hydraulic Steering	Navigation Light	Anchor Light	Pump of Washing Deck	Painting (Two Tone)	Hatch/Unit	Compass	Marine Seat(one)		

FISHING BOAT OPTIONS



Seastar Hydraulic Steering system



LED Search Light



Marine Toilet



LED Deck Light



Diesel Air Heater



Upgrade Damping Seat



Marine Compass



Electric Trim Tabs



Anchor Windlass



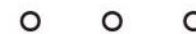
Carpet



Bluetooth Stereo System



COOPERATED SUPPLIER



CHECKLIST

Features	Benefits
☑ Deep v hull	Give you the soft ride on choppy water.
☑ Sealed, checkerplate floor	Easy to clean, no wet, smelly carpet and tackle hiding under the floor.
☑ Rocket launcher/overhead rod rack	Overhead fishing rod/net/gaff storage.
☑ Air buoyancy/foam buoyancy	Fully-sealed air buoyancy chambers in most models/foam in smaller models.
☑ Transom door	Easy access.
☑ Swim platform	Great for standing out the back.
☑ Baitboard	Removable/replaceable cutting board. Rod storage. Easy to clean.
☑ Transducer/trim tab mounting plates	Don't have to screw through hull.
☑ Folding rear seat	Neatly hides away batteries and disappears into the transom for maximum fishing room.
☑ V-berth bunks	Comfortable area to lay down.
☑ Storage pockets everywhere	Plenty of storage fore, aft and sides.
☑ Built-in livebait tank	Neatly hidden in the transom. Great access.
☑ Dive/swim ladder	Great for climbing in and out on land or water.
☑ Navigation lights	Required by law for visibility at night.
☑ Anchor light	To avoid others hitting you at night.
☑ Led cabin light	Easy to access stuffs in cabin at night.
☑ Power outlet	12V DC power outlet on dash for charging phones or other electronic equipment.
☑ Bigger pump	Good-quality, high-capacity bilge pump to blast water out fast.
☑ High-strength aluminum rod holders	No cheap plastic rod holders.
☑ Battery isolation switching	To isolate batteries when boat is stored.
☑ Dual battery system	Good idea when heading offshore.
☑ Heavy duty windscreen	Toughened glass'scratch-resistant' windscreens.
☑ Bow fairlead and roller	Securely keeps the anchor in place.
☑ Fast-draining anchor well	Empties fast if you take a wave over the bow.
☑ Anti slip pads	MAX traction on side decks.
☑ Self-draining system	Ensure you a safety when raining.

CONTACT US



ChinaAllseaBoats



@allseaboats3421



info@allseaboats.com



+86 137 3092 2090



SAIL WITH US



OUR REAL CUSTOMERS